







TACT SWITCH 1103 SERIES

1103

Terminal Type	
□	THROUGH HOLE
S	SMT

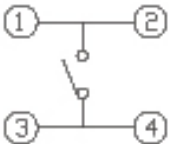
How to Order

B			
Knob Type (L)			
□	 4.3mm	C	 7.3mm
A	 12.0mm	D	 12.0mm
B	 7.5mm	T	 3.8mm

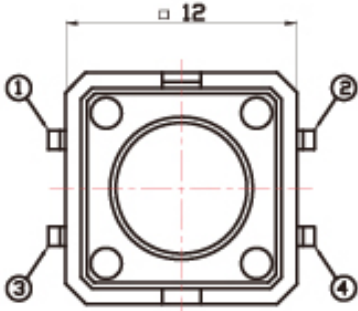
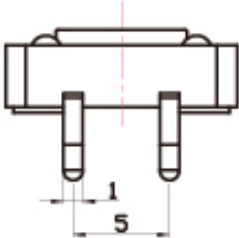
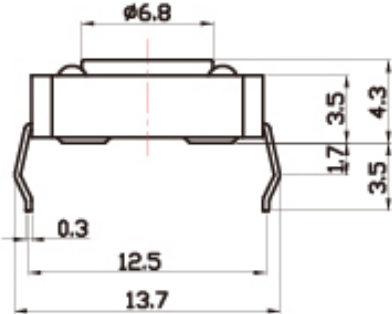
160g

Operating Force
160g
250g

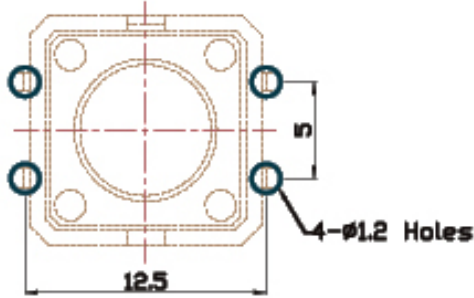
CIRCUIT DIAGRAM



1103-160G



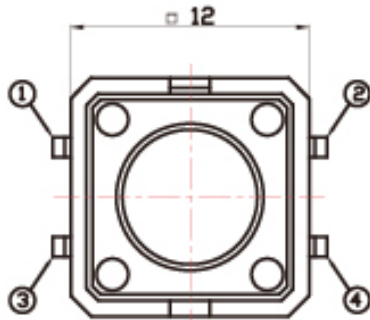
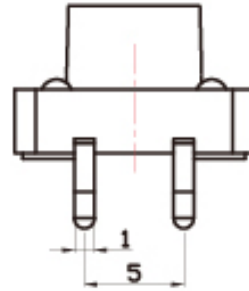
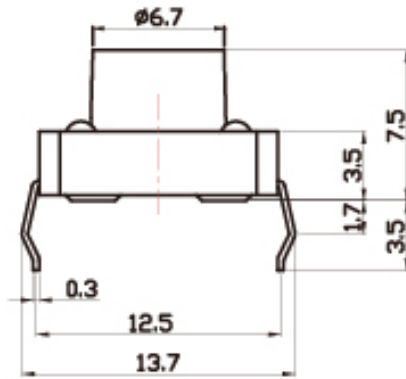
PCB LAYOUT



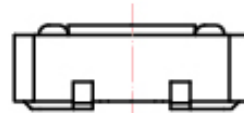
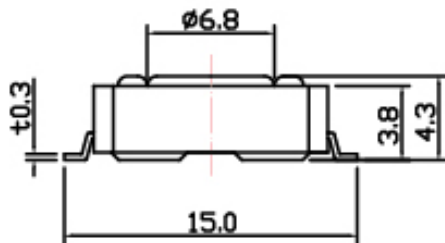
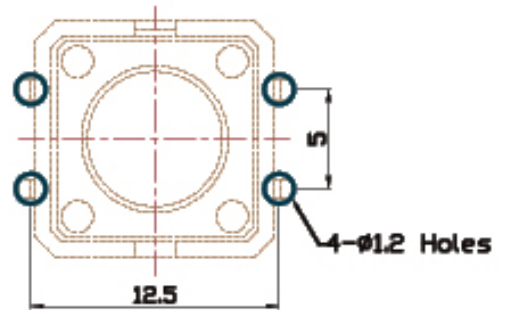
TACT SWITCH 1103 SERIES



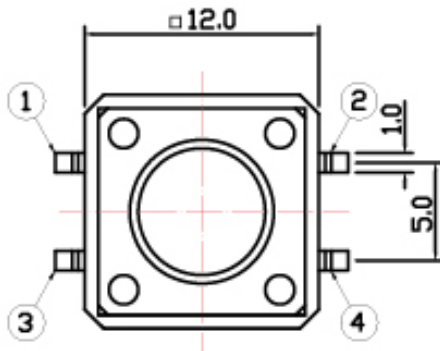
1103B-160G



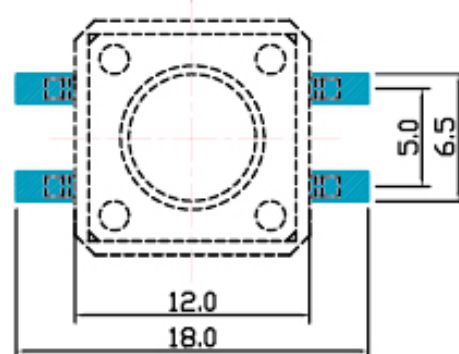
PCB LAYOUT



1103S-160G



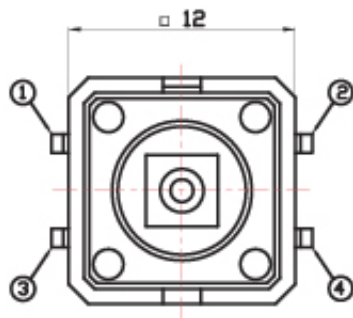
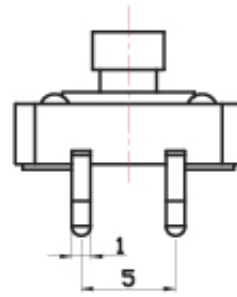
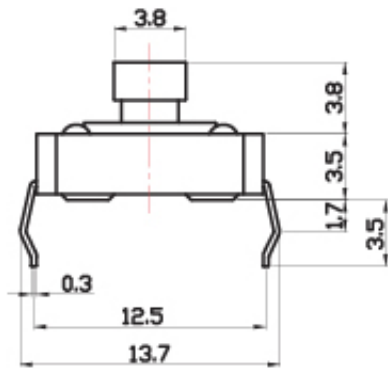
PCB LAYOUT



TACT SWITCH 1103 SERIES



1103T-160G



PCB LAYOUT

