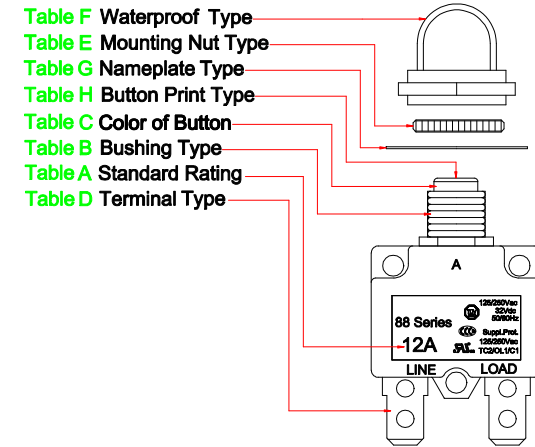


Order Guide	<b>88-12-A1 B 1 4-P 0 0 N B</b>
Series No.	
Amp Rating.	(Table A)
Bushing Type.	(Table B)
Color of Button.	(Table C)
Terminal Type.	(Table D)
Voltage.	3=125/250Vac, 4=125/250Vac 32Vdc(Tags), 5=Client designation 7=Only 7A,10A,12A,15A 125/250Vac 32Vdc (APM on body) 9=CSA U3 type
Mounting Nut Type.	(Table E)
Waterproof Type.	(Table F)
Nameplate Type.	(Table G)
Terminal Finish.	S=Plate with Tin N=Plate with Nickel O=No plate
Body Type.	B=Black W=White



**(Table B) Bushing Type**

<b>Bushing type= P1</b> Plastic M11XP1.0 	<b>Bushing type= P2</b> Plastic M12XP1.0 	<b>Bushing type= P3</b> Plastic 3/8"-27T 	<b>Bushing type= P4</b> Plastic 
<b>Bushing type= PS</b> Plastic Snap In 	<b>Bushing type= KF</b> Plastic Snap In 	<b>Bushing type= HK</b> Plastic Snap In 	<b>Bushing type= PC</b> Plastic M11XP1.0 
<b>Bushing type= AW/AB</b> Plastic 	<b>Bushing type= PL</b> Plastic 	<b>Bushing type= P0</b> Plastic 	
<b>Bushing type= A1</b> Metal M11XP1.0 	<b>Bushing type= B1</b> Metal M11XP1.0 	<b>Bushing type= A3</b> Metal 3/8"-27T 	<b>Bushing type= B3</b> Metal 3/8"-27T 
<b>Panel Hole</b> P1,PCA1,B1 	P2 	P3,A3,B3 	P4 
AW/AB 	P0 	PS,KF,HK 	

**(Table A) Standard Rating**

03= 3.0A	12= 12.0A
3.5= 3.5A	13= 13.0A
04= 4.0A	15= 15.0A
05= 5.0A	16= 16.0A
06= 6.0A	17= 17.0A
07= 7.0A	18= 18.0A
08= 8.0A	20= 20.0A
09= 9.0A	22= 22.0A
10= 10.0A	25= 25.0A
11= 11.0A	30= 30.0A

**(Table C) Color of Button Type**

<b>B</b>	Black
<b>W</b>	White
<b>R</b>	Red
<b>1</b>	Black button w/ver White print 
<b>5</b>	White button w/ver Black print 
<b>6</b>	Red button w/ver White print 

**(Table D) Terminal Type**

<b>Type=1</b> Straight 11.8mm 	<b>Type=2</b> 90° bend up 	<b>Type=3</b> 90° bend down 	<b>Type=4</b> 90° bend Load pin 	<b>Type=5</b> 90° bend Line pin 	<b>Type=6</b> Straight 8.0mm 	<b>Type=8</b> 45° bend up 
<b>Type=9</b> 45° bend down 	<b>Type=X</b> Straight 3.2mm 	<b>Type=F</b> Screws #8-32 	<b>Type=L</b> Screws #8-32 90° bend up 	<b>Type=J</b> Screws #8-32 90° bend down 	<b>Type=K</b> Screws #8-32 Load pin 90° bend 	<b>Type=G</b> Line pin 90° bend Screws #8-32 

**(Table E) Mounting Nut Type**

<b>0</b>	Type= P	Type= Q	Type= A	Type= B	Type= C	Type= 4	Type= 5
None	Plastic Integrated Kunrnut 	Plastic Kunrnut 	Metal Kunrnut 	Metal Hexnut M11 H=14 M12 H=15 	Metal A 	Plastic+Metal Q 	Plastic+Metal A 

**(Table F) Waterproof Type**

<b>0</b>	Type=R	Type=T	Type=F	Type=V	Type=U
None					

**(Table G) Nameplate Type**

<b>0</b>	<b>B</b> Black plate	<b>A</b> Black plate	<b>S</b> Black plate
None	<b>W</b> White plate		<b>X</b> White plate