

RESET BREAKER 98AR SERIES

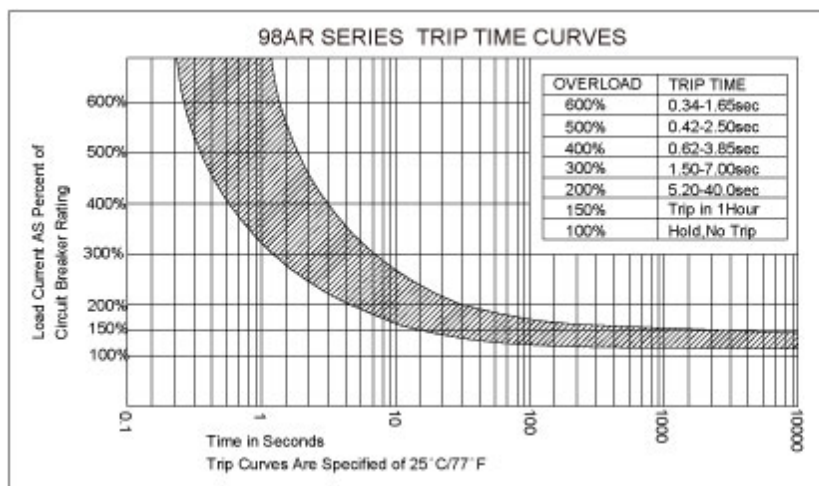
- Rating: 3Amp - 60Amp
- Input power: 24Vdc (UL/CUL); 125/250Vac
- Interrupt capacity: 1000Amp 125Vac, 200Amp 24Vdc
- Voltage Drop: Less than 0.25V
- Dielectric strength: 1500Vac, 1 minute
- Resettable overload capacity: 10 times rated current
- Insulation resistance: >100 M. ohms (50Vdc)
- Reset time: within 60 seconds



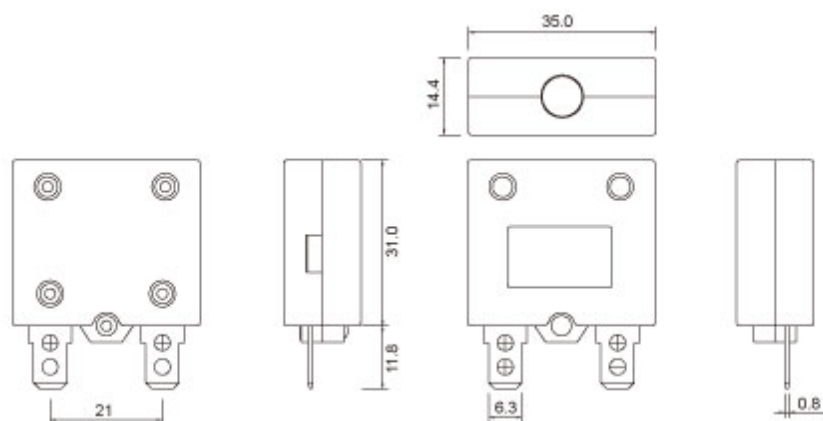
How to Order:

98AR — 10 — AR 1 1

SERIES SYMBOL	AMP RATING	FITTING TYPE	TERMINAL	VOLTAGE
98AR SERIES	5-50 AMP	<p>AR</p> <p>ZJ</p> <p>ZZ</p>	<p>1</p> <p>2</p> <p>3</p>	1 = 32Vdc 125/250VAC



DERATING FACTOR	
-5°C	X 1.3
0°C	X 1.2
10°C	X 1.1
20°C	X 1.05
25°C	X 1.0
30°C	X 0.9
40°C	X 0.8
50°C	X 0.7
60°C	X 0.6



98AR-XX-AR11