

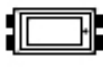


ROCKER SWITCH B-SERIES

B — 1	1	1	— R	2	N — ...
POLE	FUNCTION	TERMINAL TYPE	ACTUATOR TYPE	MARKING TYPE	ILLUMINATED TYPE
1 SINGLE POLE	1 ON-ON 3 ON-OFF-ON 6 ON-OFF	0 SOLDER TERMINAL 2 3.0 , 3.0 ELONGATE HOLE (Only for illuminated type) 4 SOLDER TERMINAL 5 WIRE	R ROCKER	1 HI LO 2 NO MARKING 3 ON OFF 4 ○ 5 ○ —	L DC ILLUMINATED N NO ILLUMINATED

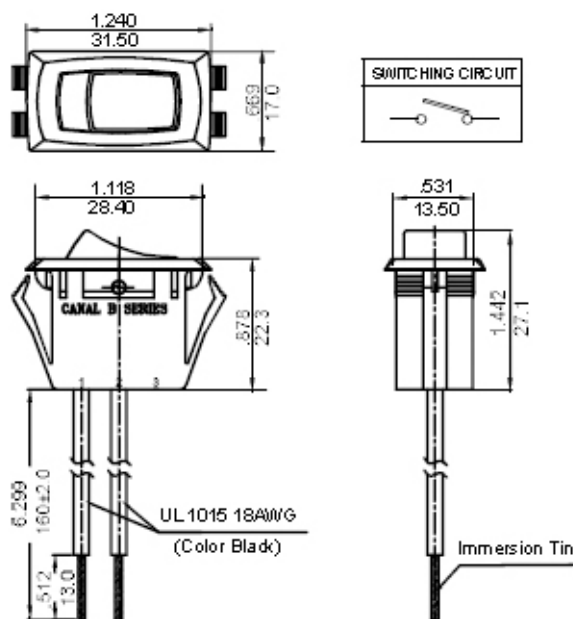
B	B	0	B	M	W
BASE COLOR	ACTUATOR COLOR	NEON LAMP POSITION	TERMINAL BENDING	BASE MARKING	LEGEND COLOR
B BLACK W WHITE A GRAY	B BLACK W WHITE A GRAY • O ORANGE • G GREEN • R RED	0 NON-LIGHTED 1 LIGHTED, T1-NEON-T3 2 LIGHTED, T2-NEON-T3 (STANDARD)	A  BEND 1 & 2 B  BEND 1 & 3 N NO BENDING	M  N NO MARKING S SPECIAL	B BLACK R RED W WHITE N NONE

Note:

1. "*" can apply to PC material
2. The products options may be too many to be listed fully above, kindly consult our sales directly for more information.



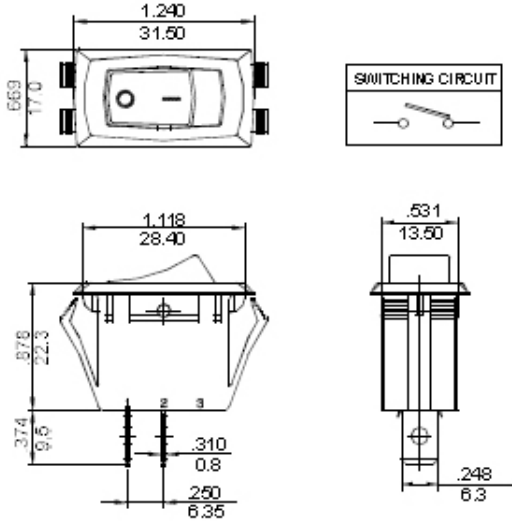
B-165-R2N-WW0NNN



ROCKER SWITCH B-SERIES



B-160-R5N-BR0NNW



B-162-R2L-BR2BMW

