

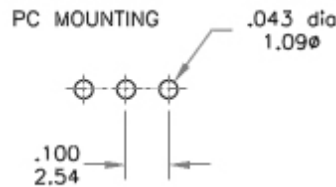
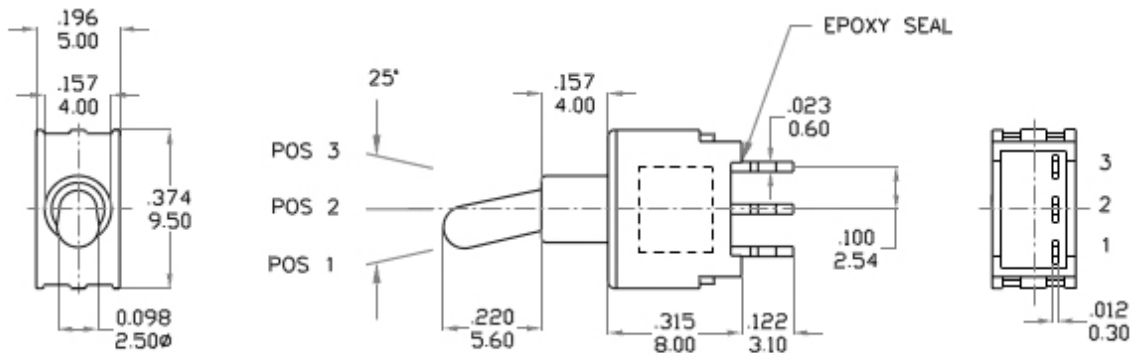
TOGGLE SWITCH ET SERIES

How to Order:

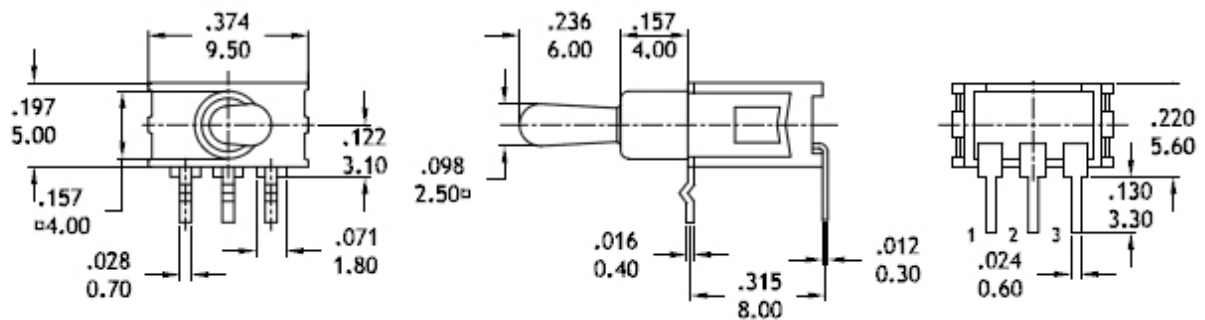
ET - 4	-	T2	-	C	-	R	-	□	-	H
<p>Circuit</p> <p>4 : SP on-none-on 4A: SP on-off-on 4I : SP on-off-(on) 5 : DP on-none-on 5A: DP on-off-on 5I : DP on-off-(on)</p>		<p>Actuator</p> <p>T2: standard U: Flat</p>		<p>Terminal</p> <p>C: PC mounting C1: PC mounting H: Horizon V: Vertical</p>		<p>TERMINAL PLATING</p> <p>R: GOLD K: TIN</p>		<p>Epoxy Seal</p> <p>Blank: standard for C terminal</p> <p>6E : Red epoxy for C1/H/V terminal</p>		<div style="border: 1px solid black; padding: 2px; display: inline-block;">RoHS</div>



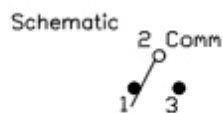
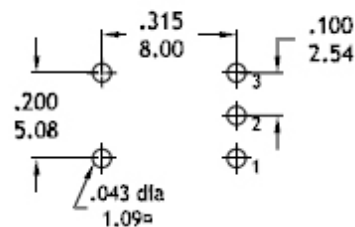
ET-4-T2CK-H



ET-4-T2HR-6E-H



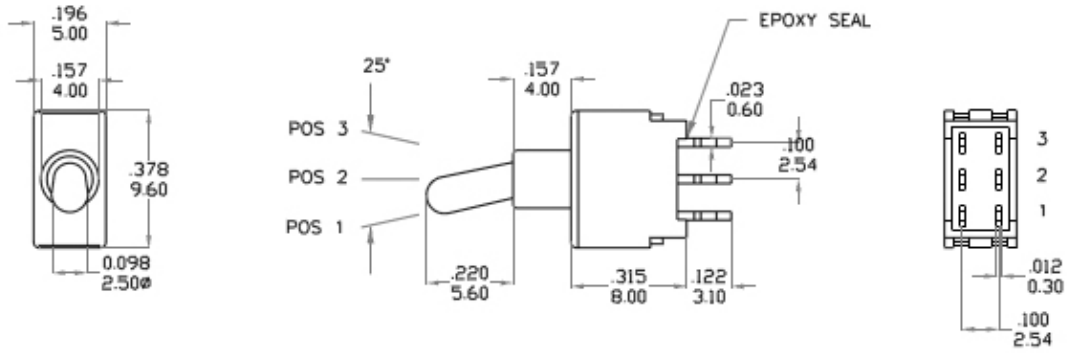
PC MOUNTING



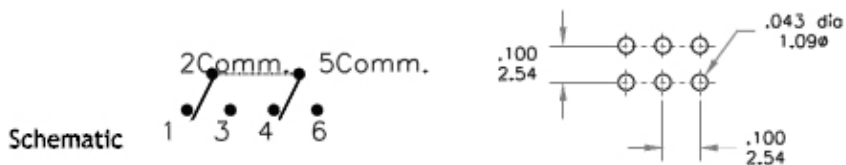
TOGGLE SWITCH ET SERIES



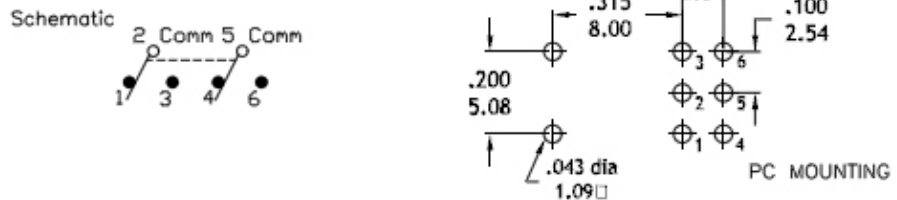
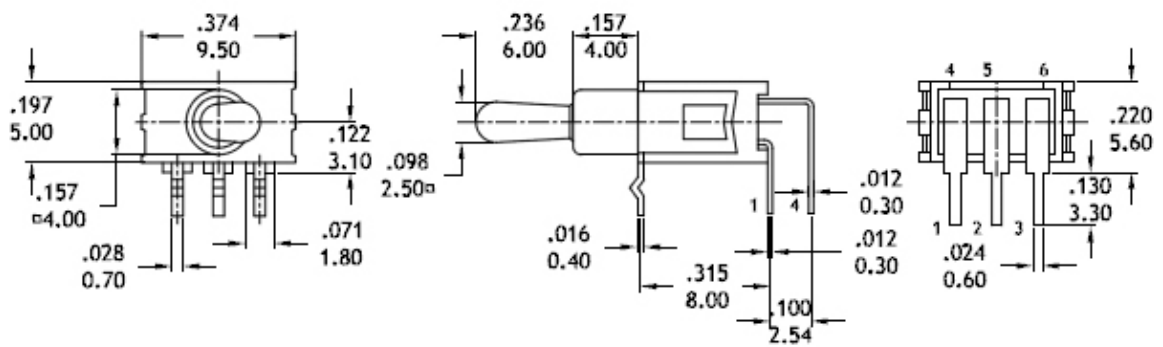
ET-5-T2CR-H



PC MOUNTING



ET-5-T2HR-6E-H



PC MOUNTING