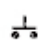
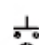
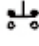
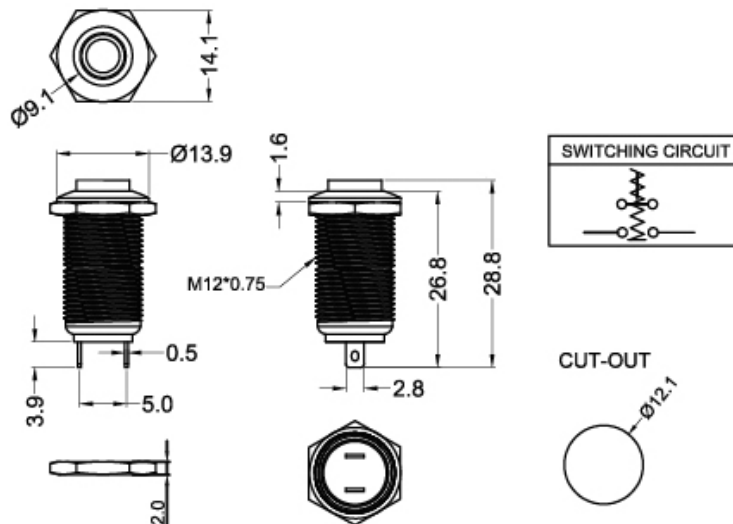
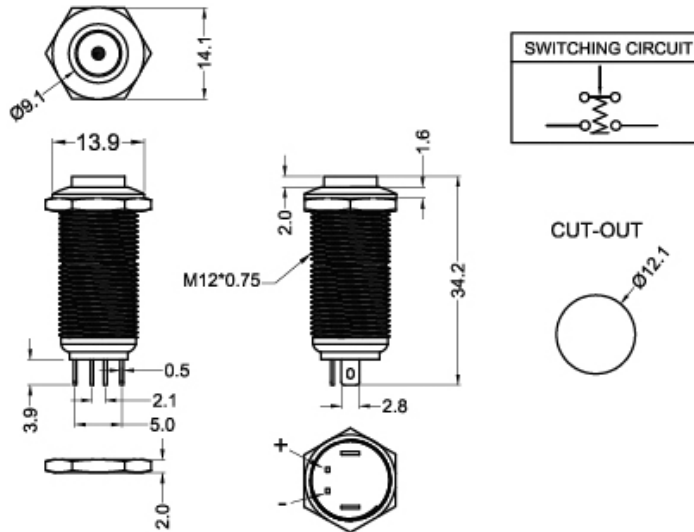


PUSH SWITCH PBM-12 SERIES

FUNCTIONS		ACTUATOR TYPE	ACTUATOR COLOR		LED COLOR		LED POLARITY
TYPE	CIRCUIT						
M MOMENTARY	11 SPST  2P	F FLAT R DOME H RAISED	B METAL BLACK ANODIZED S METAL SILVER J ROSE GOLD R RED U BLUE G GREEN Y YELLOW	C NATURAL BRASS P PURPLE K PINK H GOLD T STAINLESS STEEL X CHAMPAGNE	N NO LED R RED W WHITE U BLUE G GREEN Y YELLOW O ORANGE P PINK	<input type="checkbox"/> NO LED R RED W WHITE U BLUE G GREEN Y YELLOW O ORANGE P PINK	<input type="checkbox"/> NO LED 1 NONE 2 ANODE 3 CATHODE 4 SINGLE
Z LOCK	12 SPST +  2P	C BIG FLAT D BIG ROUND P RAISED (PLASTIC)					
Q TACT	21 DPST  4P						

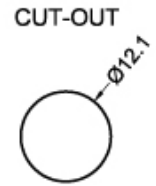
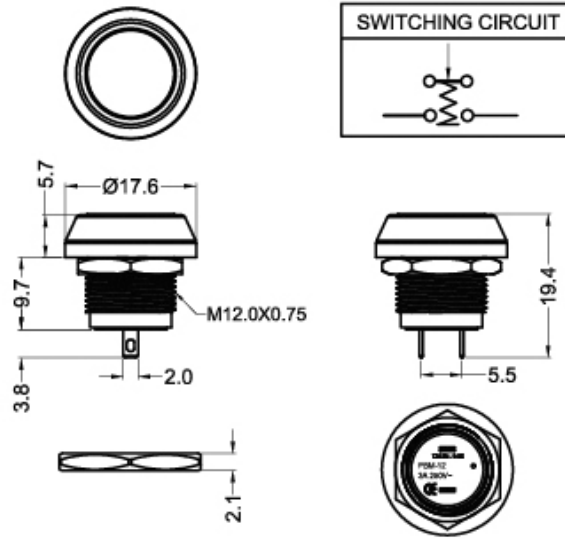
LAMP TYPE	LAMP VOLTAGE	BODY MATERIAL	BODY FINISH	TERMINAL TYPE
N NO LAMP S SPOT R RING E POWER SYMBOL	N NONE 3 3V 6 6V 12 12V 24 24V 36 36V 48 48V 110 110V 220 220V	B BRASS S STAINLESS STEEL A ALUMINUM	1 MIRROR CHROME PLATED 2 NATURAL BRASS 8 MIRROR NICKEL PLATED 7 CD PATTERN 5 METAL BLACK PAINT 6 BLACK ANODIZED 9 ROSE GOLD	S SOLDER L SCREW W WIRE



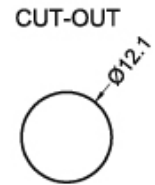
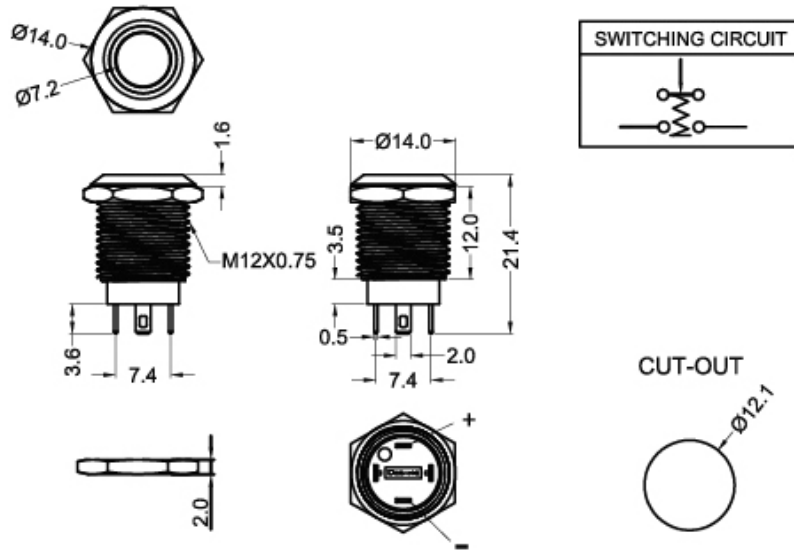
PUSH SWITCH PBM-12 SERIES



PBM-12M11-CB-N-NN-A6S



PBM-12M12-FS-U1-R3-B8S



PBM-12Q11-RS-N-NN-S7S

