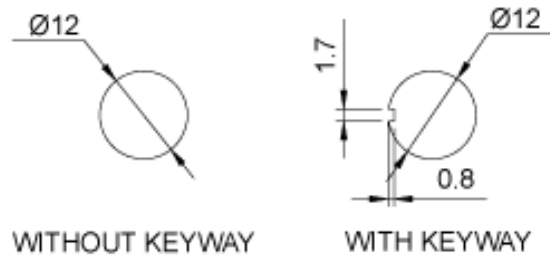


# TOGGLE SWITCH TB SERIES

- IP68 protection level for the entire switch (passing MIRDC's TAF laboratory test)
- Metal bat or plastic toggle
- Solder, quick connect, screw type or binding terminals
- hex nut, gasket, and rubber boot accessories available upon request.

## PANEL CUT-OUT



How to order:

TB1

B

1

7

SERIES SYMBOL	LEVER TYPE	TERMINAL TYPE	POSITION & FUNCTION		
TB1 SERIES (1 POLE, 3 POS.)	P PLASTIC	1 QC (.250)	<b>TWO POSITIONS</b>		
TB2 SERIES (1 POLE, 2 POS.)	B BRASS	2 QC (.187)	<b>THREE POSITIONS</b>		
TB3 SERIES (2 POLE, 3 POS.)		3 SOLDER TERMINAL	TB2 (1 POLE)	TB1 (1 POLE)	TB3 (2 POLES)
TB4 SERIES (2 POLE, 2 POS.)		4 SCREW TERMINAL	*2 OFF-ON	1 ON-OFF-ON	1 ON-OFF-ON
*TB5 SERIES (4 POLE, 3 POS.)		*5 BINDING TERMINAL	*3 ON-ON	5 (ON)-OFF-ON	5 (ON)-OFF-ON
			4 (OFF)-ON	7 (ON)-OFF-(ON)	7 (ON)-OFF-(ON)
			6 (ON)-OFF	21 NONE-OFF-ON	21 NONE-OFF-ON
			8 (ON)-ON	31 NONE-ON-ON	31 NONE-ON-ON
				61 (ON)-OFF-NONE	61 (ON)-OFF-NONE
					10 ON-ON-ON
					12 ON-ON-ON
			TB4 (2 POLES)	TB5 (4 POLE)	
			*2 OFF-ON	1 ON-OFF-ON	
			*3 ON-ON	5 (ON)-OFF-ON	
			4 (OFF)-ON	7 (ON)-OFF-(ON)	
			6 (ON)-OFF	21 NONE-OFF-ON	
			8 (ON)-ON	31 NONE-ON-ON	
				61 (ON)-OFF-NONE	

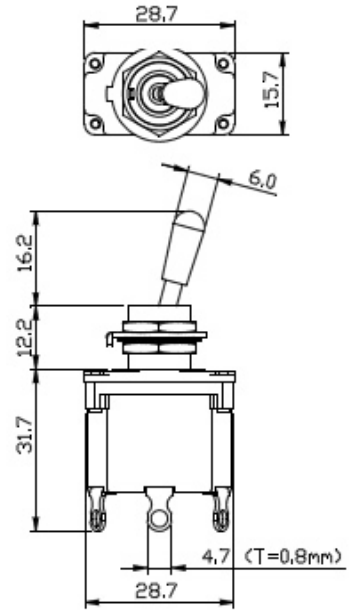
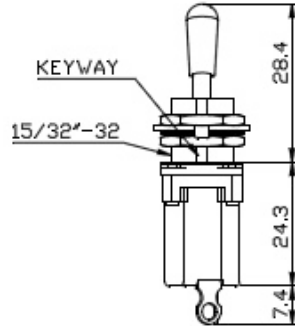
NOTE: "\*" WITHOUT UL APPROVAL



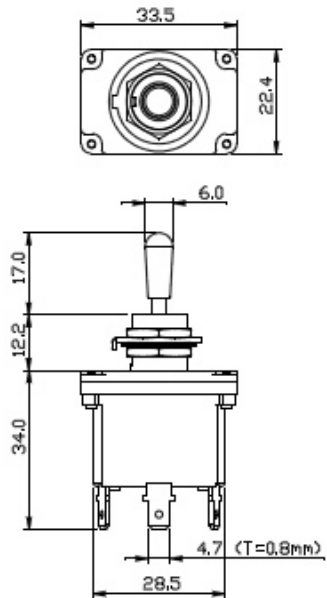
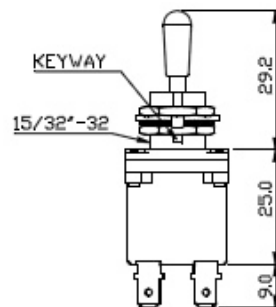
# TOGGLE SWITCH TB SERIES



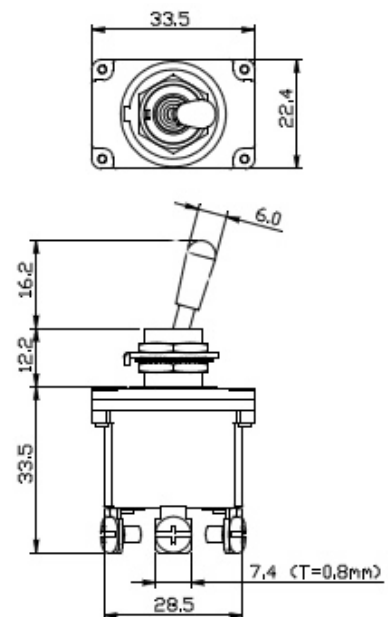
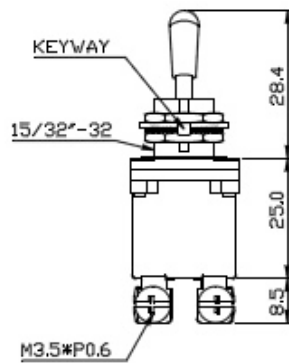
**TB2-B33**  
ON-ON



**TB3-B27**  
(ON)-OFF-(ON)



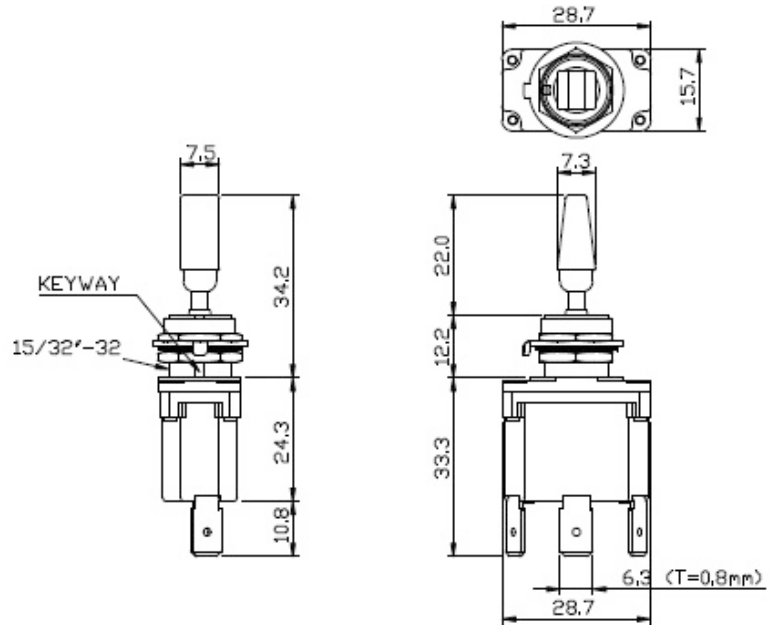
**TB4-B43**  
ON-ON



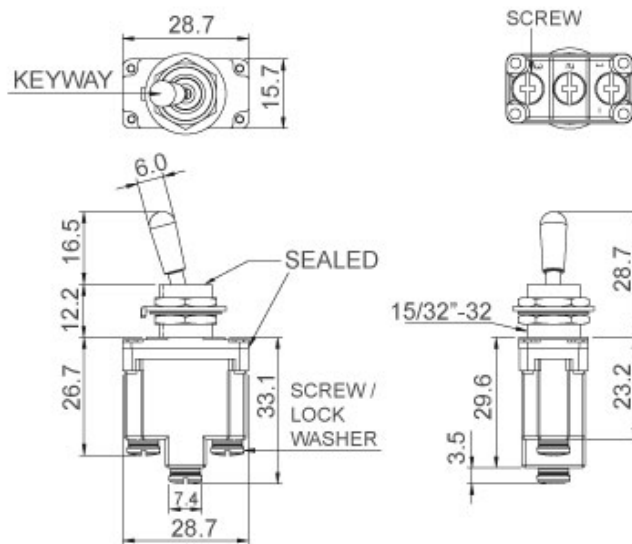
# TOGGLE SWITCH TB SERIES



**TB1-P17**  
(ON)-OFF-(ON)



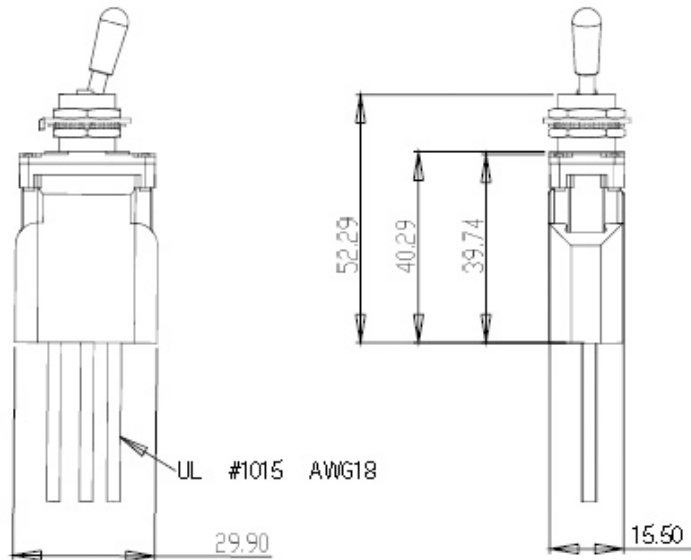
**TB2-B53**  
ON-ON



# TOGGLE SWITCH TB SERIES



**TB2-B18-FC**  
(ON)-ON  
Sealed lead terminals



**TB5-B51**  
ON-OFF-ON

