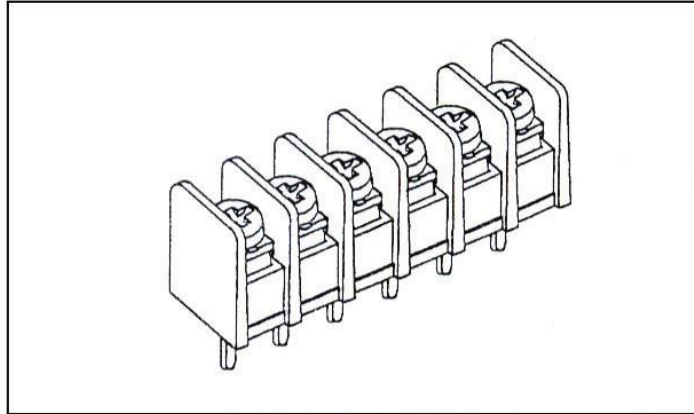
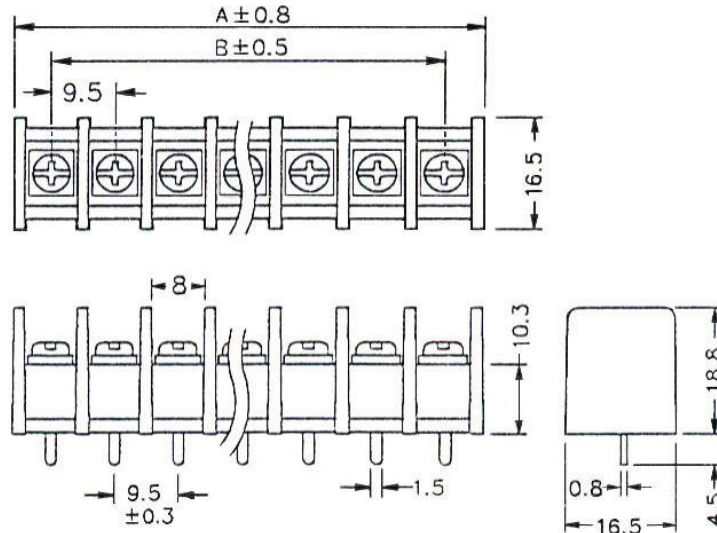


ITEM NO. GGB-20 SERIES PITCH 9.5mm



GGB-20-02



DIMENSION: mm PITCH 9.5mm

POLE	2	3	4	5	6	7	8	9	10	11	12	13	14	15	16	17
$A \pm 0.8$	21	30.5	40	49.5	59	68.5	78	87.5	97	106.5	116	125.5	135	144.5	154	163.5
$B \pm 0.5$	9.5	19	28.5	38	47.5	57	66.5	76	85.5	95	104.5	114	123.5	133	142.5	152

POLE	18	19	20	21	22	23	24	25	26	27	28	29	30	31	32
$A \pm 0.8$	173	182.5	192	201.5	211	220.5	230	239.5	249	258.5	268	277.5	287	296.5	306
$B \pm 0.5$	161.5	171	180.5	190	199.5	209	218.5	228	237.5	247	256.5	266	275.5	285	294.5

NUMBER OF POLE 02 ~ 32

SPECIFICATIONS

Rated: 15A 300VAC  
 Insulation Withstands Voltage: AC 2000V/min  
 Insulation Resistance: 1000M $\Omega$  or More at DC500V  
 Using Temperature Range: -40 $^{\circ}$ C ~ +120 $^{\circ}$ C  
 Screw Torque Value: 12 Kg-cm  
 Wire Range Awg: 14 - 22 STR  
 Insulator Body : Plastic NYLON 66  
 Terminals: Brass, Tin Plated 0.8t  
 Terminal Screws: M3.5 Nickel Plated Steel

GREAT DRAGON ELECTRICAL CORPORATION

1F., NO.7, LANE 35, DA TONG ST., BANQIAO CITY,  
 TAIPEI COUNTY 22043, TAIWAN (R.O.C.)