

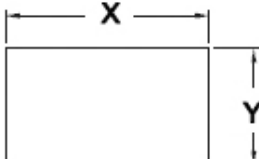
ROCKER SWITCH X5-SERIES

How to Order:

X5 —	2	1	4	A	N	N —	N ...
POLE	FUNCTION	TERMINAL TYPE	ACTUATOR TYPE	MARKING TYPE	MARKING COLOR	ILLUMINATED TYPE	
1 1 POLE 2 2 POLE	1 ON-OFF 2 ON-ON 3 ON-OFF-ON 4 (ON)-OFF 5 (ON)-ON 6 (ON)-OFF-(ON) 7 (ON)-OFF-ON 8 ON-(OFF) Listed in Safeties 9 ON-ON-ON A (ON)-ON-(ON) B OFF-ON-ON C (ON)-ON-ON Not Listed in Safeties	1 SOLDER 3 SCREW TERMINAL 4 QC .250 (6.3mm)	A A TYPE (Hard PC) B B TYPE (Soft TPR) C C TYPE (Hard PC) D D TYPE (Hard PC) E E TYPE (Soft TPR) F F TYPE (Soft TPR) N NONE	N NO MARKING <i>(For marking list, please contact our sales)</i>	N NO W WHITE L LASER CARVING	N NON LAMP L 100~125VAC G 200-250VAC 1 LED DC 12V 2 LED DC 24V 3 LED DC 6V	
			A	B	B	X	
			BASE COLOR	ACTUATOR COLOR	RATING TEMPERATURE	SUFFIXES	
			A GRAY(STD) B BLACK	A GRAY B BLACK(STD) N NONE	A 16(8)A 125/250V~ μT55 B 20(8)A 125/250V~ μT55 D 16A(6~30VDC) μT55 1 16(8)A 125/250V~ μT85/55 2 20(8)A 125/250V~ μT85/55 4 16A(6~30VDC) μT85/55 7 16(8)A 125/250V~ μ40T85/55 8 20(8)A 125/250V~ μ40T85/55 9 16A(6~30VDC) μ40T85/55	BLANK OR LETTER/NUMBER <i>(For illuminated type, please advise lamp color)</i>	

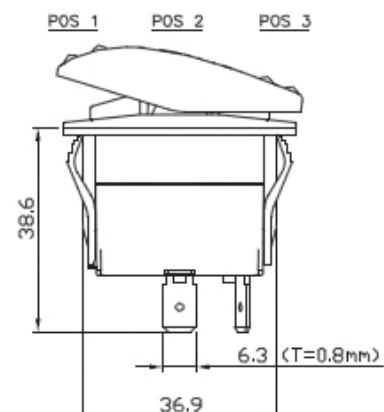
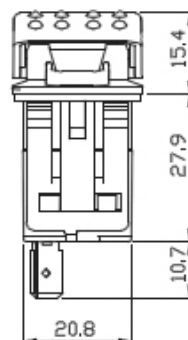
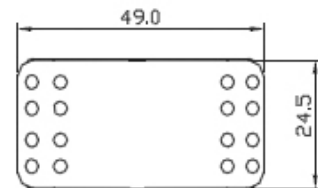
Panel Cutout

Panel Cutout (assembled with seal gasket)

	Panel thickness	X	Y
	1.0~1.5	37.3 ^{+0.0} _{-0.1}	21.2 ^{+0.1} _{-0.0}
	2.5~3.0	37.5 ^{+0.0} _{-0.1}	21.2 ^{+0.1} _{-0.0}
	3.5~4.5	37.7 ^{+0.0} _{-0.1}	21.2 ^{+0.1} _{-0.0}



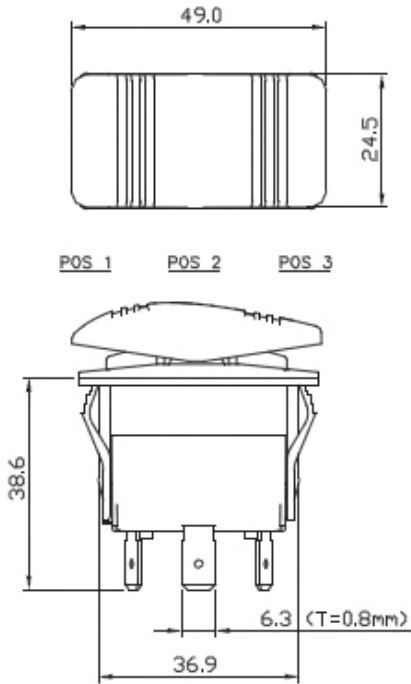
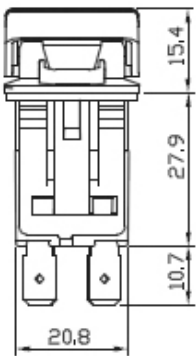
X5-114BNN-NABD-1



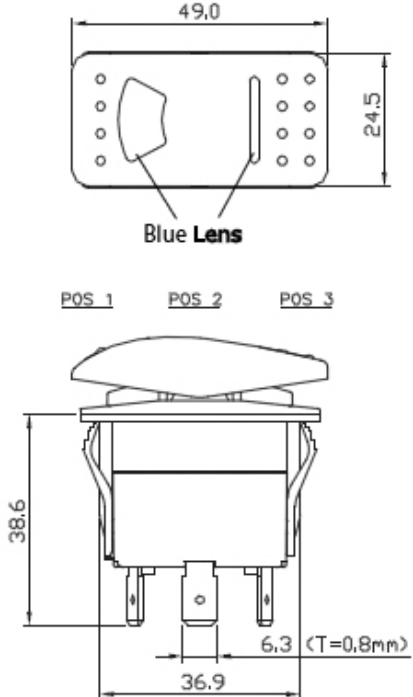
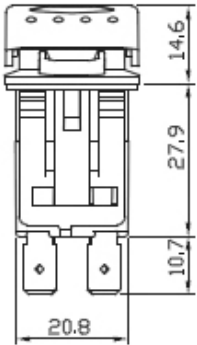
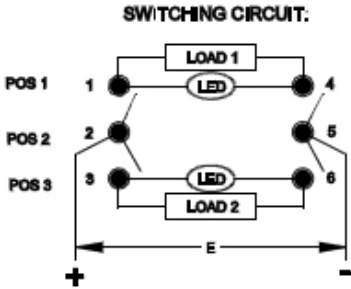
ROCKER SWITCH X5-SERIES



X5-264CNN-NABB-1



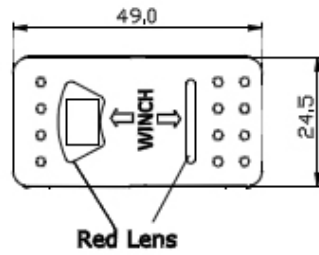
X5-234ENN-1ABD-6E



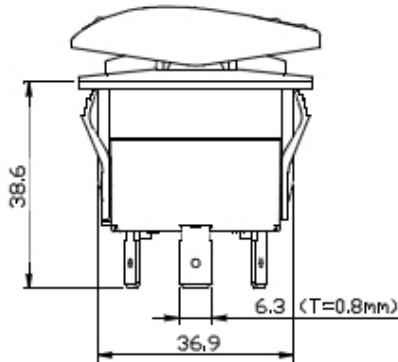
ROCKER SWITCH X5-SERIES



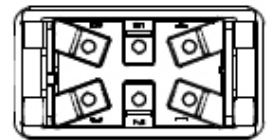
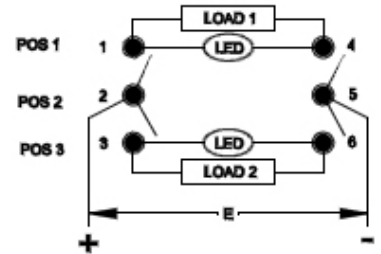
X5-264E4W-1ABD-7F



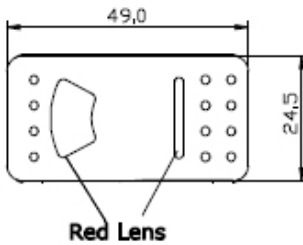
POS 1 POS 2 POS 3



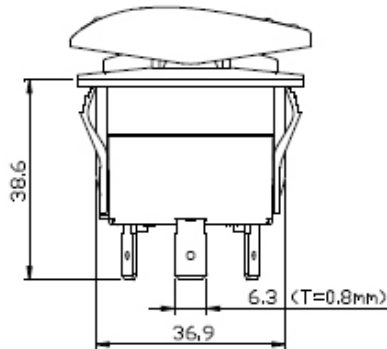
SWITCHING CIRCUIT:



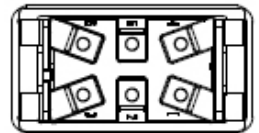
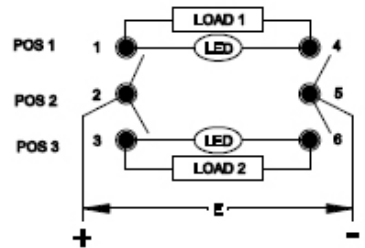
X5-264ENN-1ABD-7F



POS 1 POS 2 POS 3



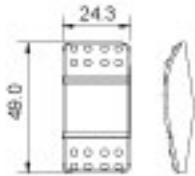
SWITCHING CIRCUIT:



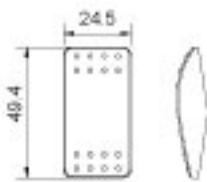
ROCKER SWITCH X5-SERIES

ACTUATOR TYPE

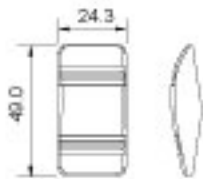
A type
hard PC



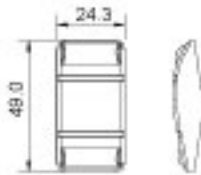
B type
soft TPR



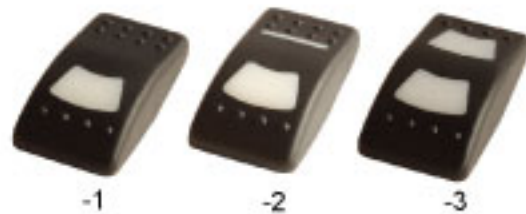
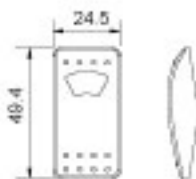
C type
hard PC



D type
hard PC



E type
soft TPR



F type
soft TPR

